

Title: AUTOMOTIVE VEHICLE POLYMERIC  
 RUNNING BOARD  
 Inventor: Heil, et al  
 Docket No: 64,842-004  
 Attorney: Ernest E. Helms  
 Phone: 248.203-0756  
 Filed: herewith  
 Sheet: 1 of 3

Express Mail Label No. ET 931279457 US

FIG. 1

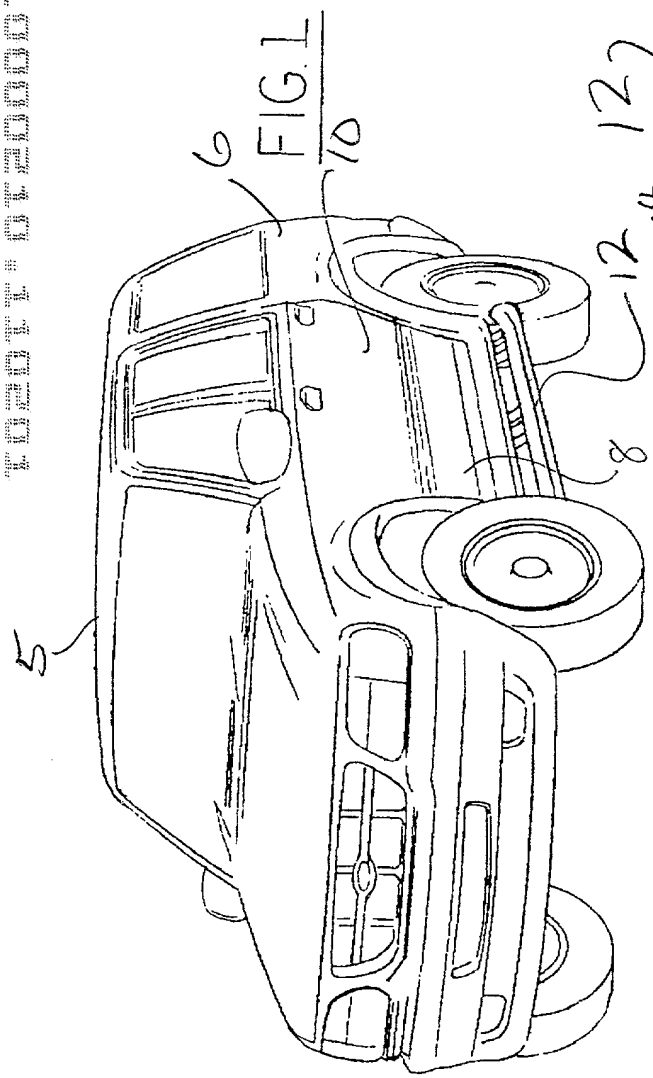
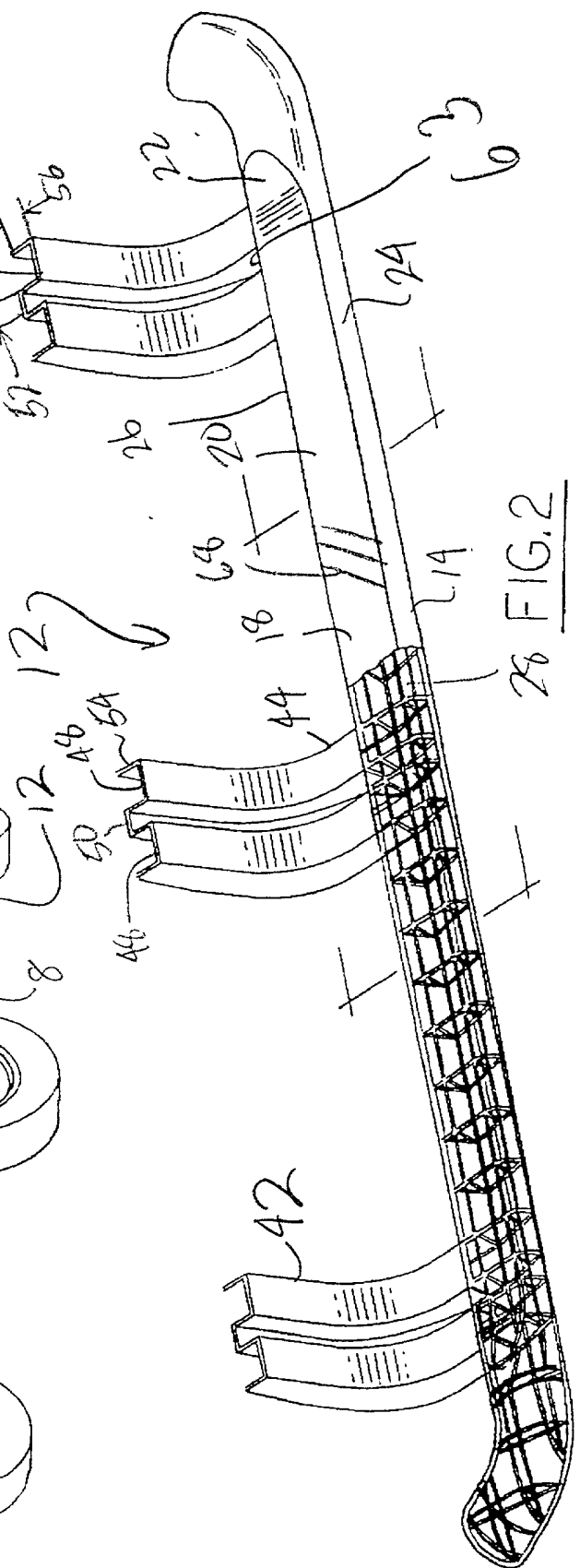


FIG. 2



Express Mail Label No. ET 931279457 US

LETTER COLLEGE

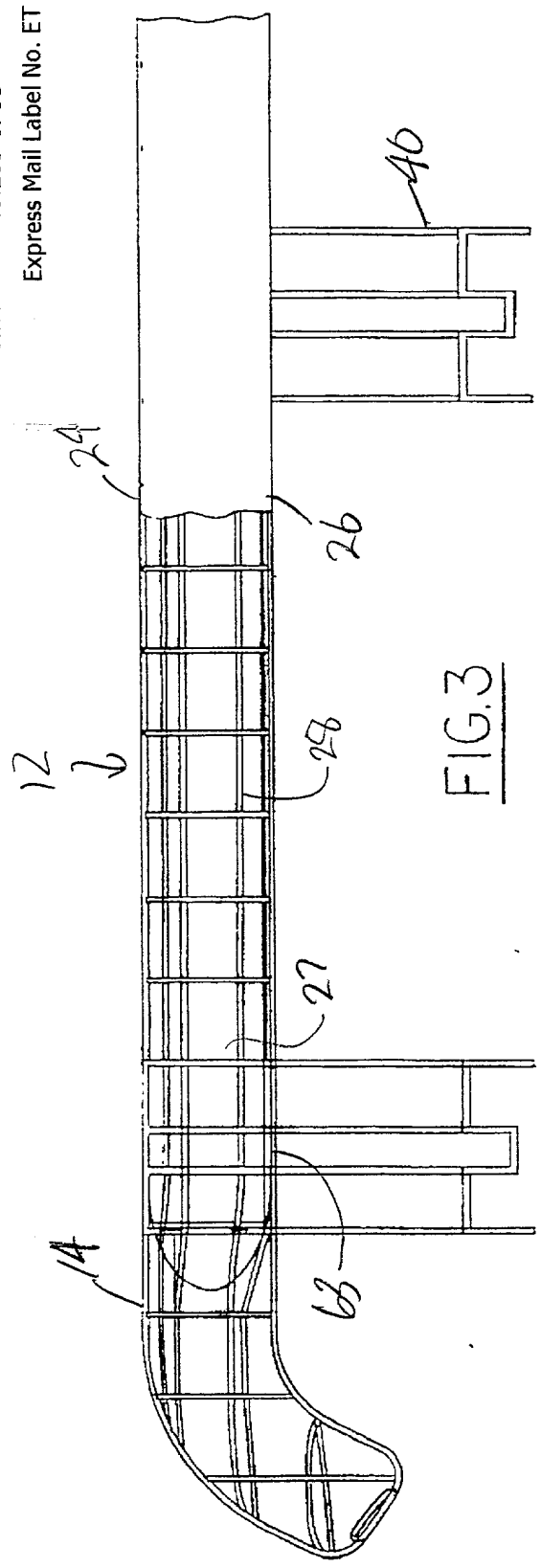


FIG. 3

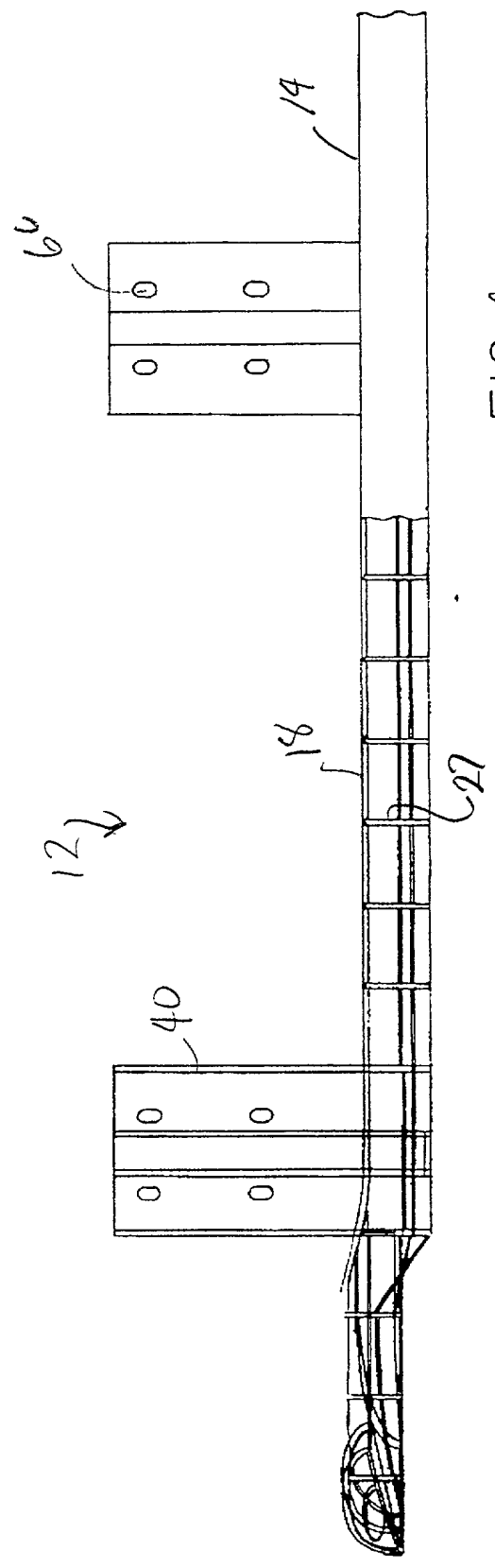


FIG. 4

Title: AUTOMOTIVE VEHICLE POLYMERIC  
RUNNING BOARD  
Inventor: Heil, et al Filed: herewith  
Docket No: 64,842-004 Sheet: 3 of 3  
Attorney: Ernest E. Helms  
Phone: 248.203-0756

Express Mail Label No. ET 931279457 US

FIG. 5

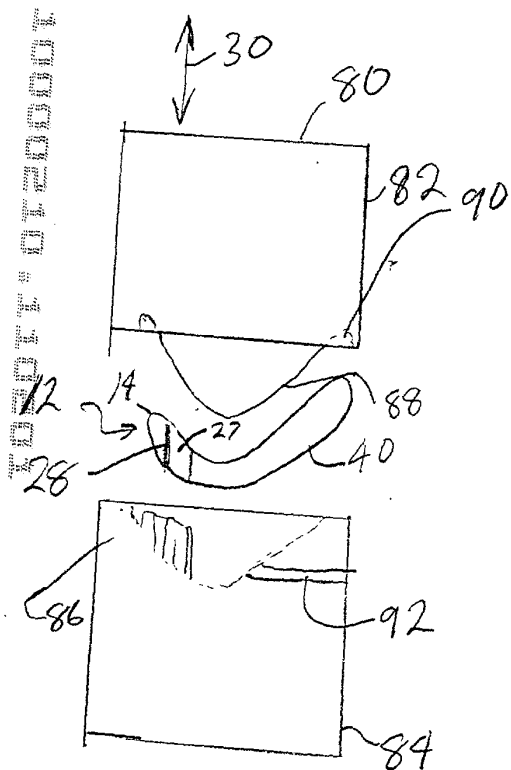
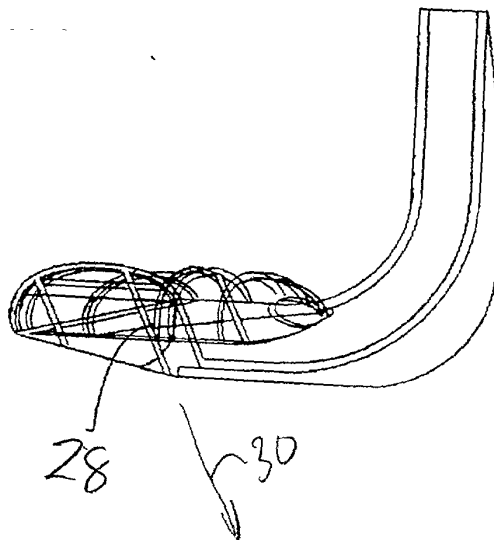


FIG. 7

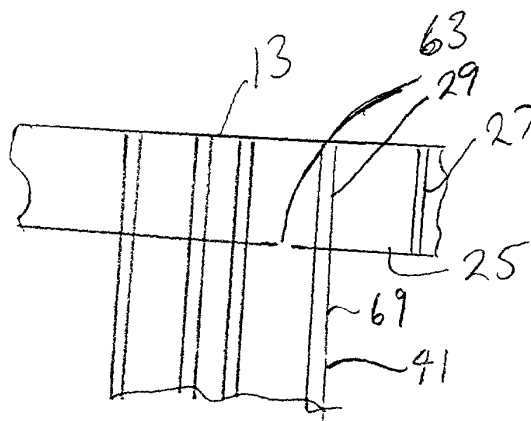


FIG. 6